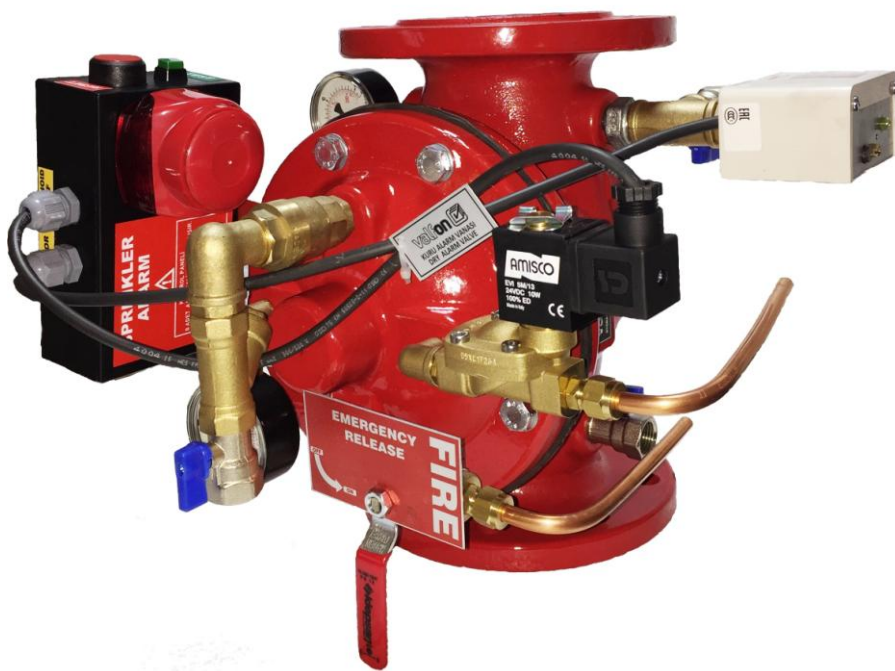


# ANIFIVAL

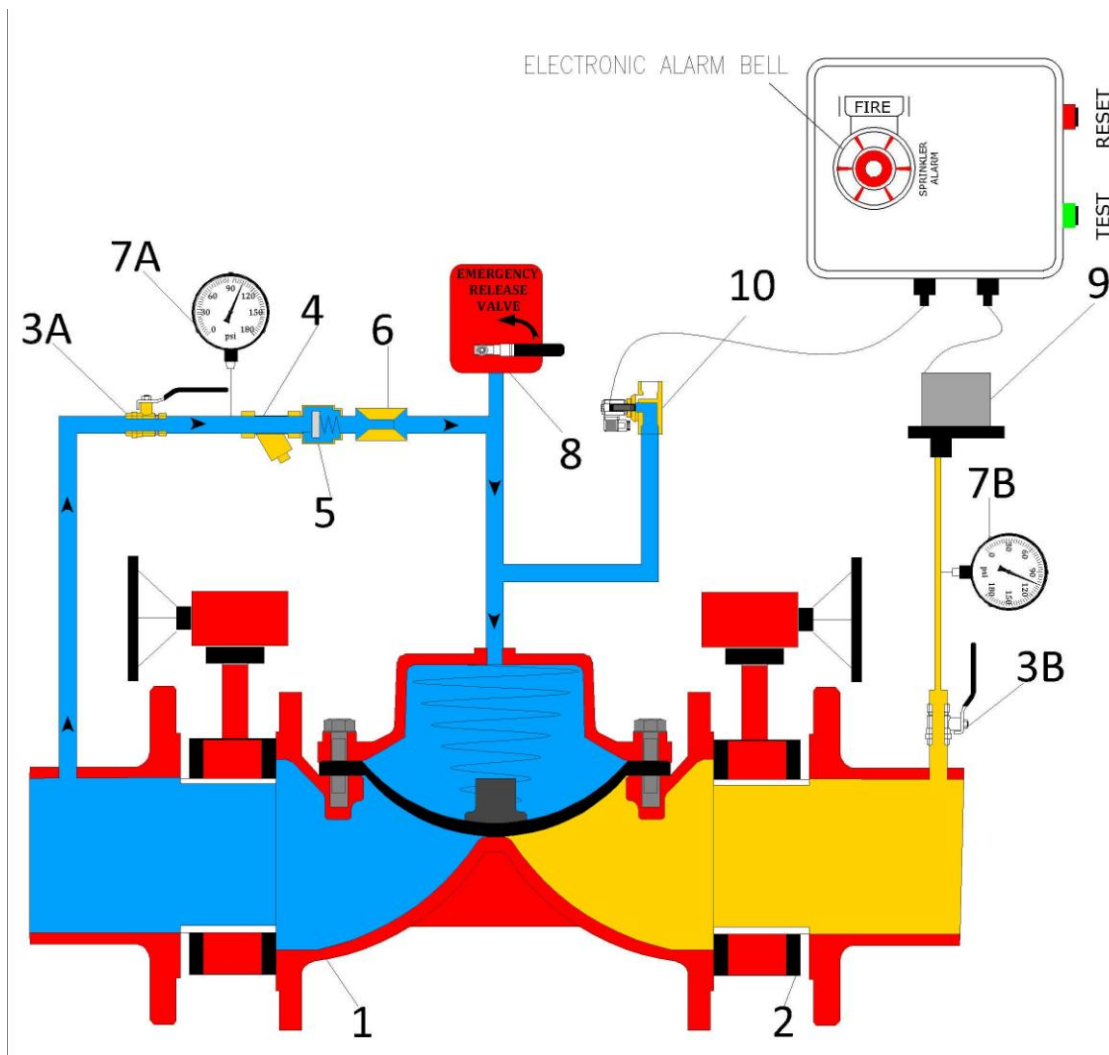
## ELECTRIC ACTIVATION DELUGE DRY ALARM VALVE



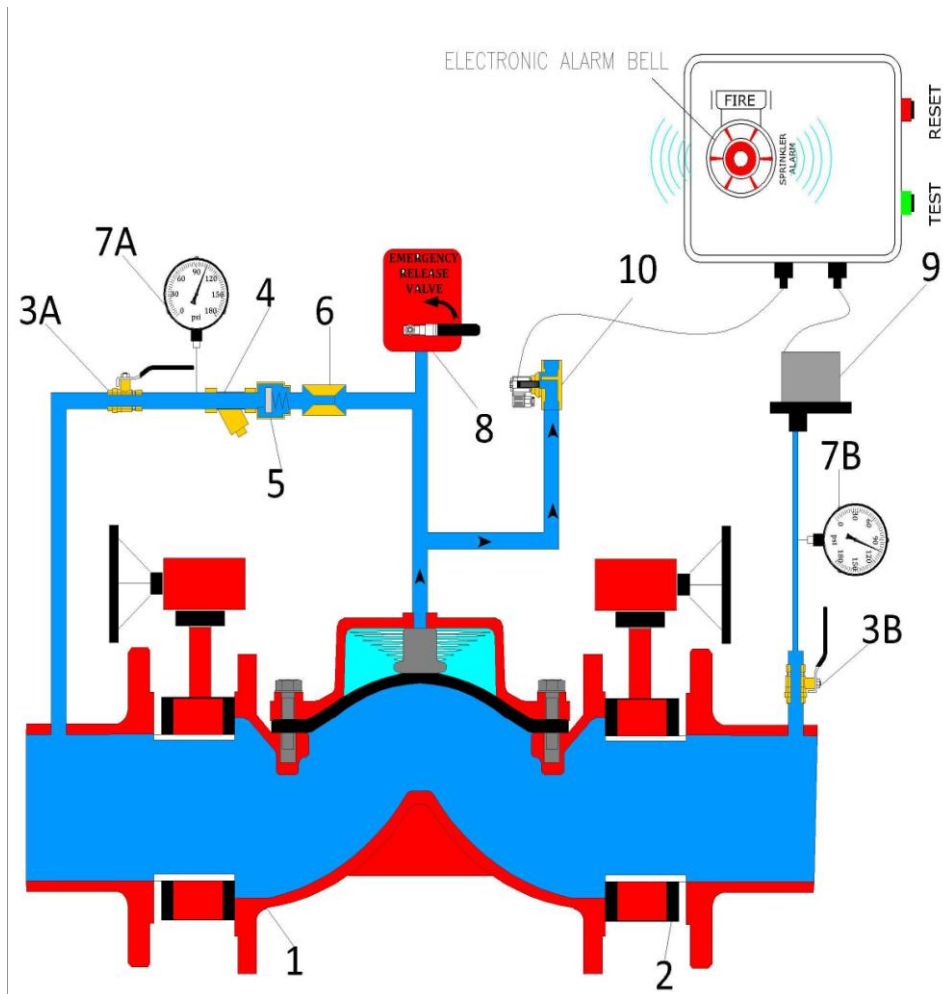
No	Description	Material
1	Valve Body	GGG 40 Ductile Iron
2	Valve Cover	GGG 40 Ductile Iron
3	Diaphragm	Standart : Seal rubber Optional: Seal EPDM
4	Seal Disc	GGG 40 Ductile Iron
5	Stem	Standart : SS 304 Stainless steel Optional : SS 316 Stainless steel
6	Spring	Standart : SS 304 Stainless steel Optional : SS 316 Stainless steel
7	Radial Port	Standart : GGG 40 Stainless steel Optional : Bronze
8	Stem Bearing	Standart : Ms 58 Brass Optional : Bronze
9	Seat	Standart : Ms 58 Brass

		Optional : Bronze
10	Disc	Standart : GGG 40 Ductile Iron Optional: Stainless steel X20Cr13
11	Stem Nut	Stainless steel A2 / Stainless A2
12	Gasget Sealing	Standart : EPDM Optional : Nitril, Viton
13	O-Ring	NBR
14	Bolt + Washer	Standart : 8.8 Galvanize Çelik Optional : A2 Stainless steel
15	Lifting Hook	Standart : 8.8 Galvanised steel Optional : A2 Stainless steel

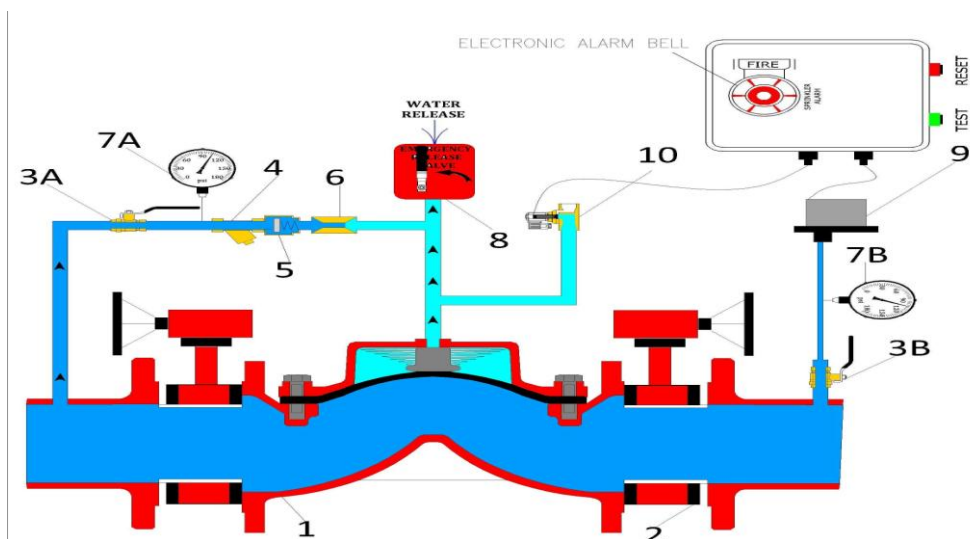
**STAND BY MODE**

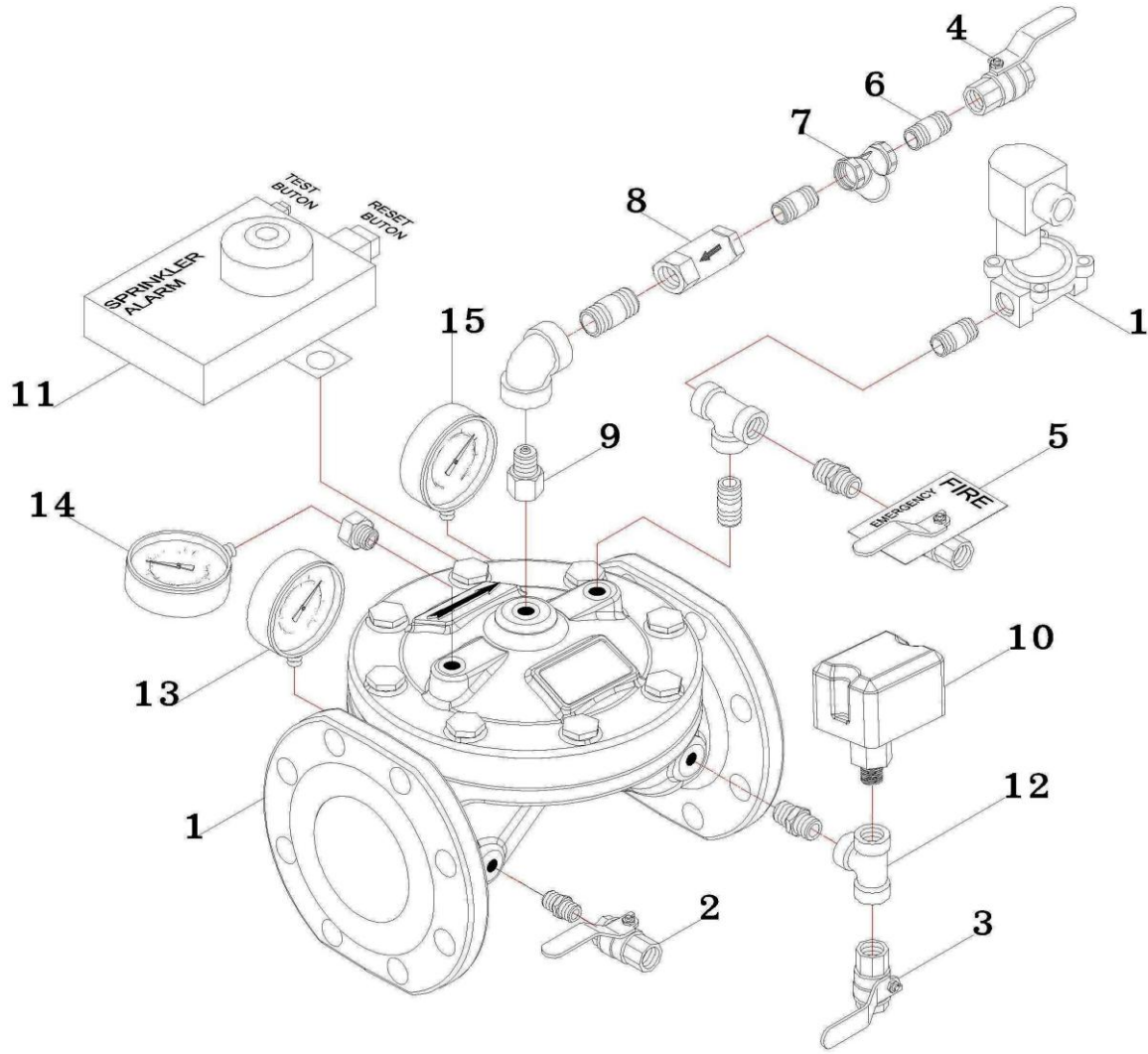


## AUTOMATIC OPEN UP MODE



## MANUAL OPEN UP MODE





NO	PART NAME	NO	PART NAME
1	DELUGE VALVE	8	CHECK VALVE
2	BALL VALVE (WATER RELIEF)	9	ORİFİS
3	BALL VALVE (AIR RELIEF)	10	LOW PRESSURE SENSOR
4	BESLEME HAT VANASI	11	CONTROL PANEL
5	EMERGENCY RELIEF VALVE	12	TEE
6	NİPEL	13	INLET PRESSURE GAUGE
7	STRAINER	14	ACTUATOR PRESSURE GAUGE
		15	AIR PRESSURE GAUGE

**INSTALLATION**

